

Thyristor Switching Module



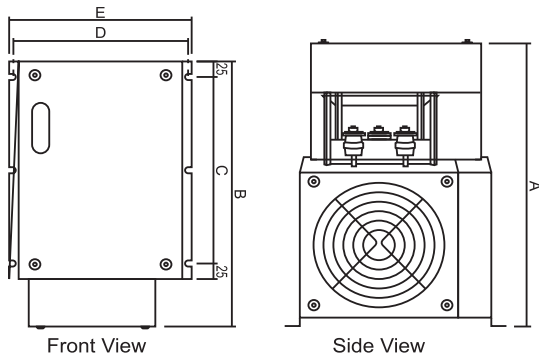
Description

- + Thyristor Switches for Dynamic Power Factor Correction
- + System with Harmonic Block Reactors.
- + - Transient Free Switching
- + - Used for Tuned and Detuned APFC Systems
- + - Compact with inbuilt Axial Fan
- + - High temperature protection
- + - Copper Busbar type Links for easy connection for all ratings
- + - Indications and Alarms Signals for :
 - Power "ON"
 - Controller Signal
 - Capacitor Bank Firing
 - Signal
 - Over Temperature
 - Fan On

Technical Specifications

		PS-15	PS-25	PS-50	PS-100
Power Data	Design Voltage	415V 50/60 Hz \pm 15%			
	PIV	2200 V			
	Nominal Current per Thyristor	21A	35A	70A	140A
	Max. permissible Avg. on state Current	25A	42A	84A	168A
	Recommended Backup Fuses*	32A	63A	125A	250A
	Backup Fuse Type	Normal HRC gG / gL			
	Discharge of Capacitors	Fast Discharge Reactor			
	Switch in repetition	20ms			
Firing Unit	Aux. Voltage	12V DC			
	Control Voltage for Trigger Signal	12V DC			
	Consumption for Trigger Signal	10 mA			
	Consumption for Aux. Voltage	60 mA			
	SMPS Rating Calculation (Amp.)	0.5A for each Module x No. of Modules			
	Range of Temperature	-10 Deg. C - +60 Deg. C			
Common Data	Weight (Approx.)	6,5 kG			10 kG
	Protection Class	IP00			
	Humidity	10 - 95%, Avoid any dew !			
	Max. Altitude above seal level	1000m NN			
	Ambient Temperature	-10 Deg. C - +50 Deg. C			

* **Fast Semiconductor Type Fuses should not be used.**



RATING	MODEL	A	B	C	D	E
15 KVAR	PS-15	247	243	150	162	173
25 KVAR	PS-25	247	243	150	162	173
50 KVAR	PS-50	247	243	150	162	173
100 KVAR	PS-100	295	295	200	190	205

Specification subject to change without notice.
All dimensions are in mm.
Contact our Sales Office for specification of TSM Modules rated at 480V, 690V, 750V



Neptune India Ltd.

Neptune House, A 11 - Sector 59
Noida - 201301, INDIA
Tel: 0120 420 5900, 429 7900
Email: enquiry@neptuneindia.com
www.neptuneindia.com