

plug - with TE screw terminals, for harsh applications

Product description

Order number	2195
EAN/pcs	4024941021951
Product Group	TE plug with Multi-Grip cable gland
Amperage	125A
Poles	4p (3P+PE)
Earth 'Clock' Position	6 h
Voltage	380 up to 415V
Frequency	50 and 60Hz
Protection	IP67
Color code	red RAL 3000
Connection Design	screw terminal as box terminal
Max. conductor	50.0 mm ²

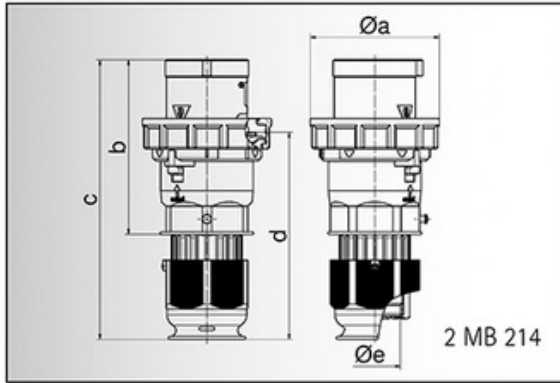


Further Information

Additional technical information	For cable diameter from 26 up to max. 50 mm Multi-Grip cable gland with gasket, integrated cable clamp and additional water evacuation openings
----------------------------------	--

Material

Material of Enclosure	Polyamide
Contact / Contact Carrier	contact carrier made of high temperature resistant material, contacts and box terminals are brass nickel plated
Weight/pcs	1.125 kg
Packaging unit	5 pcs



Ampere	125	125	125
Polzahl	3	4	5
a ø	126,0	126,0	126,0
b	181,0	181,0	181,0
c	282,0	282,0	282,0
d	206,0	206,0	206,0
e ø	50,0	50,0	50,0
Leiter mm ² min	16	16	16
Leiter mm ² max	50	50	50