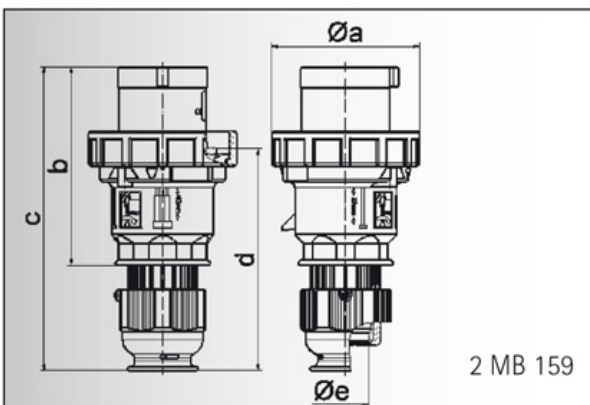


# Data sheet

Order number: 2189

TE plug Multi-Grip cable gland

EAN/pcs	<b>4024941021890</b>
Ampere	<b>63A</b>
Poles	<b>5p (3p+N+PE)</b>
Earth 'Clock' Position	<b>6 h</b>
Voltage	<b>200/346 up to 240/415V</b>
Frequency	<b>50 and 60Hz</b>
Protection	<b>IP67</b>
Color code	<b>red RAL 3000</b>
Connection Design	<b>screw terminal as box terminal</b>
Contact	<b>contact carrier made of high temperature resistant material, contacts and box terminals are brass nickel plated</b>
Weight/pcs	<b>0,705 kg</b>
Packaging unit	<b>5 pc/pcs</b>
Material of enclosure	<b>Polyamide</b>



Ampere	<b>63</b>	<b>63</b>	<b>63</b>
Polzahl	<b>3</b>	<b>4</b>	<b>5</b>
a ø	<b>113,5</b>	<b>113,5</b>	<b>113,5</b>
b	<b>153,0</b>	<b>153,0</b>	<b>153,0</b>
c	<b>233,0</b>	<b>233,0</b>	<b>233,0</b>
d	<b>171,0</b>	<b>171,0</b>	<b>171,0</b>
e ø	<b>36,0</b>	<b>36,0</b>	<b>36,0</b>
Leiter mm <sup>2</sup> min	<b>6</b>	<b>6</b>	<b>6</b>
Leiter mm <sup>2</sup> max	<b>16</b>	<b>16</b>	<b>16</b>

**Bals Elektrotechnik GmbH & Co. KG**

D-57399 Kirchhundem - Albaum

phone: +49(0)2723/771-0 fax: +49(0)2723/771-177

email: [info@bals.com](mailto:info@bals.com) [www.bals.com](http://www.bals.com)

date: 05.05.2016