

fused - housing dimension 170x90, with mounting rail

Product description

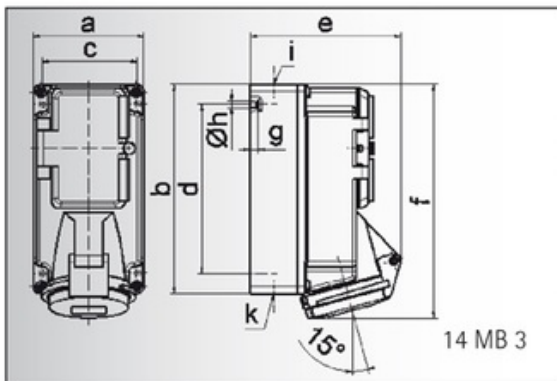
Order number	15059
EAN/pcs	4024941150590
Product Group	Quick-Connect wall mounting socket outlet, fused
Amperage	16A
Poles	5p (3p+N+PE)
Earth 'Clock' Position	6 h
Voltage	200/346 up to 240/415V
Frequency	50 and 60Hz
Protection	IP44
Color code	red RAL 3000
Connection Design	screwless spring terminals as spring clamp with Kontext-contact
Max. conductor	4,0 mm ²



Further Information

Cable entry	top entry M20 bottom entry M25/20
Packaging	170x90 mm (HxW)
Additional technical information	The cable entry is one at top open and two at bottom closed Lower part of housing rotatable by 180° With mounting rail Protective cover for fuses with stamping With mounting rail for 5 modules, vertical

Material	
Material of Enclosure	Polycarbonate
Contact / Contact Carrier	contact carrier made of high temperature resistant material, contacts are brass nickel plated
Weight/pcs	0.545 kg
Packaging unit	1 pcs



Ampere	16	16	16
Polzahl	3	4	5
a	90,0	90,0	90,0
b	170,0	170,0	170,0
c	77,0	77,0	77,0
d	137,5	137,5	137,5
e	118,0	114,0	121,0
f	188,5	188,5	190,0
g	6,0	6,0	6,0
h ø	5,5	5,5	5,5
i	M 20	M 20	M 20
k	M 20/25	M 20/25	M 20/25