

# fused - housing dimensions 260x160 with mounting rail

## Product description

Order number	15000
EAN/pcs	4024941150002
Product Group	GT wall mounting socket outlet, fused
Amperage	63A
Poles	4p (3P+PE)
Earth 'Clock' Position	6 h
Voltage	380 up to 415V
Frequency	50 and 60Hz
Protection	IP67
Color code	red RAL 3000
Connection Design	screw terminal as box terminal with Kontex-contact
Max. conductor	25.0 mm <sup>2</sup>

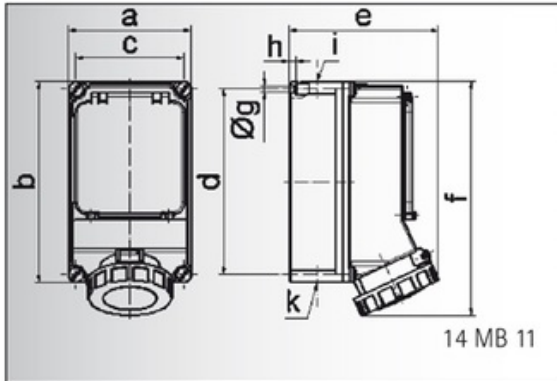


## Further Information

Cable entry	top entry M40 bottom entry M40/M32
Packaging	260x160 mm (HxW)
Additional technical information	The cable entry is one at top and two at bottom open With mounting rail Protective cover for fuses with stamping With mounting rail for 7 modules, vertical

**Material**

Material of Enclosure	Polycarbonate
Contact / Contact Carrier	contact carrier made of Polyamide, contacts are brass nickel plated
Weight/pcs	1.850 kg
Packaging unit	1 pcs



Ampere	32	32	63	63
Polzahl	4	5	4	5
a	160,0	160,0	160,0	160,0
b	260,0	260,0	260,0	260,0
c	140,0	140,0	140,0	140,0
d	240,0	240,0	240,0	240,0
e	172,0	174,0	195,0	195,0
f	293,0	294,0	304,0	304,0
g ø	8,1	8,1	8,1	8,1
h	10,0	10,0	10,0	10,0
i	M 40	M 40	M 40	M 40
k	M 32/40	M 32/40	M 32/40	M 32/40